



CONSTRUCCIONES
METÁLICAS
DE OBTURACIÓN, S.L.

CMO



GESTION DE
LA CALIDAD
CERTIFICADA

QUALITY
MANAGEMENT
CERTIFIED

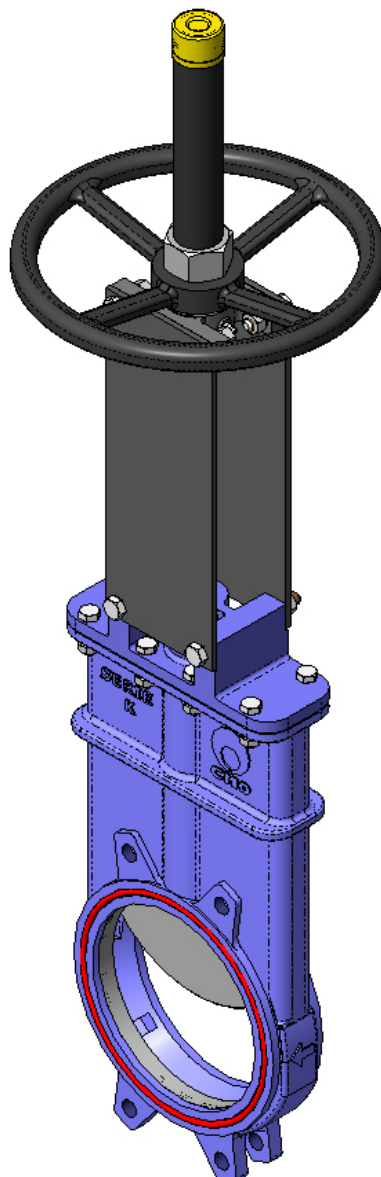
KNIFE-GATE VALVES

K SERIES

05/09/2014

INSTRUCTIONS AND MAINTENANCE MANUAL

SERIES: **K**



C.M.O.

Amategui Aldea 142, 20400 Txarama-Tolosa (SPAIN)

MAN-K.EN02

Tel. National: 902.40.80.50 Fax: 902.40.80.51 / Tel. International: 34.943.67.33.99 Fax: 34.943.67.24.40

cmo@cmo.es <http://www.cmo.es>

Page 1

KNIFE - GATE VALVES

K SERIES

ASSEMBLY

DESCRIPTION

Machinery Directive: **DIR 2006/42/EC (MACHINERY)**

Pressure Equipment Directive: **DIR 97/23/EC (PED) ART.3, P.3**

Potential Explosive Atmospheres Directive: **DIR 94/9/CE (ATEX) CAT.3 ZONE 2 and 22 GD.**

Valve **K** complies with the Directive on Equipment and Protective Systems for Potentially Explosive Atmospheres. In these cases the logo will appear on the identification label. This label shows the exact classification of the zone in which the valve can be used. The user is responsible for its use in any other zone.



HANDLING

When handling the equipment please pay special attention to the following points:

- To prevent damage, especially to the anticorrosive protection, it is recommended to use soft straps to lift the CMO knife gate valves. These straps must be fitted to the top of valve, around its body.
- Do not lift the valve or hold it by the actuator. Lifting the valve by the actuator can lead to operating problems as it is not designed to withstand the valve's weight.
- Do not lift the valve or hold it by the flow passage area. The valve's O-ring seal is located in this area. If the valve is held and lifted by this area it can damage the surface and the O-ring seal and lead to leakage problems whilst the valve is operating.
- **SAFETY WARNING:** Before handling the valve check that the crane to be used is capable of bearing its weight.



INSTALLATION

In order to avoid personal harm and other type of damage (to property, the plant, etc.) please follow these recommendations:

- The staff responsible for the handling and maintenance of the equipment must be qualified and trained in operations with this type of equipment.
- Use appropriate personal protection (gloves, safety boots, goggles, helmet, reflective vest...).
- Shut off all operating lines to the valve and put up a warning sign.
- Completely isolate the valve from the whole process.
- Depressurise the process.
- Drain all the line's fluid through the valve.
- Use hand tools not electric tools during the installation and maintenance, in accordance with **EN13463-1(15)**.



Before installation, inspect the valve body and components for any possible damage occurred during transport or storage.

Make sure that the valve's inside cavities are clean. Inspect the pipes and the flanges to make sure they contain no foreign material and are clean.

The K valve is unidirectional and an arrow is marked on the body indicating the flow direction.

The word SEAT is also marked on one side of the body (near the packing gland) to indicate the side where the sealing joint is located.

As standard, when the valve operates with clean liquids or with low solid content it is recommended to install it so that the pressure pushes the gate against the seat. That way, the fluid direction will be the same as the direction indicated by the arrow on the body (Fig. 1).

C.M.O.

Amategui Aldea 142, 20400 Txarama-Tolosa (SPAIN)

MAN-K.EN02

Tel. National: 902.40.80.50 Fax: 902.40.80.51 / Tel. International: 34.943.67.33.99 Fax: 34.943.67.24.40

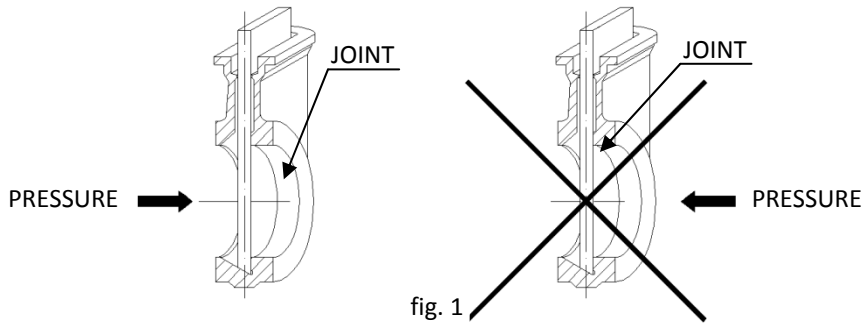
cmo@cmo.es <http://www.cmo.es>

Page 2

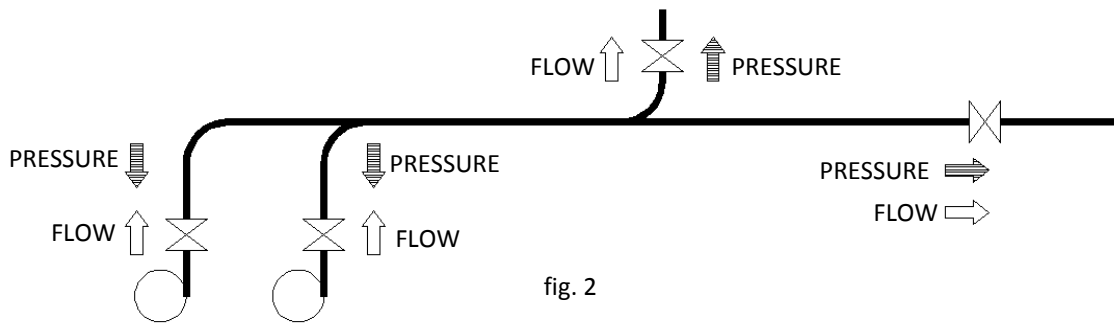


KNIFE-GATE VALVES

K SERIES

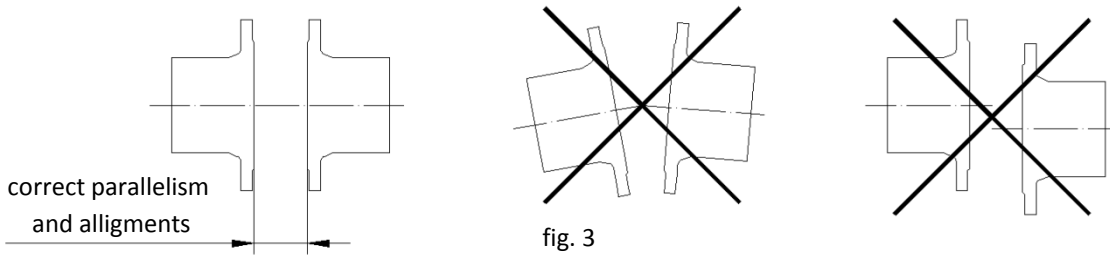


Please note that the direction of the fluid and the pressure do not always coincide (Fig. 2).



Special care must be taken to maintain the correct distance (gap) between the flanges and ensure they are correctly aligned and parallel (Fig. 3).

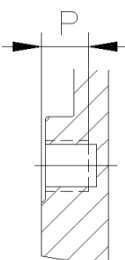
The incorrect position or installation of the flanges can cause deformations on the valve's body which can cause difficulties during operation.



It is very important to make sure that the valve is correctly aligned and parallel to the flanges to prevent leakages and avoid deformations.

The screws in the tapped blind holes will have a maximum depth and will never reach the bottom of the hole.

The following table (Table 1) shows the maximum thread depth in the holes and the maximum torque to be applied to the screws when the valve is installed between flanges:



ND	50	65	80	100	125	150	200	250	300	350	400	450	500	600	700	800	900	1000
P	8	8	9	9	9	10	10	12	12	21	21	22	22	22	22	22	20	20
TORQUE (Nm)	45	45	45	45	45	88	88	88	88	88	152	152	152	223	223	303	303	412

Table 1

C.M.O.

Amategui Aldea 142, 20400 Txarama-Tolosa (SPAIN)

MAN-K.EN02

Tel. National: 902.40.80.50 Fax: 902.40.80.51 / Tel. International: 34.943.67.33.99 Fax: 34.943.67.24.40

cmo@cmo.es <http://www.cmo.es>

Page 3



KNIFE-GATE VALVES

K SERIES

ASSEMBLY POSITIONS (Horizontal Pipe)

CMO valves can be assembled in all positions; however, we will consider certain aspects.

Position 1: This is the most advisable position.

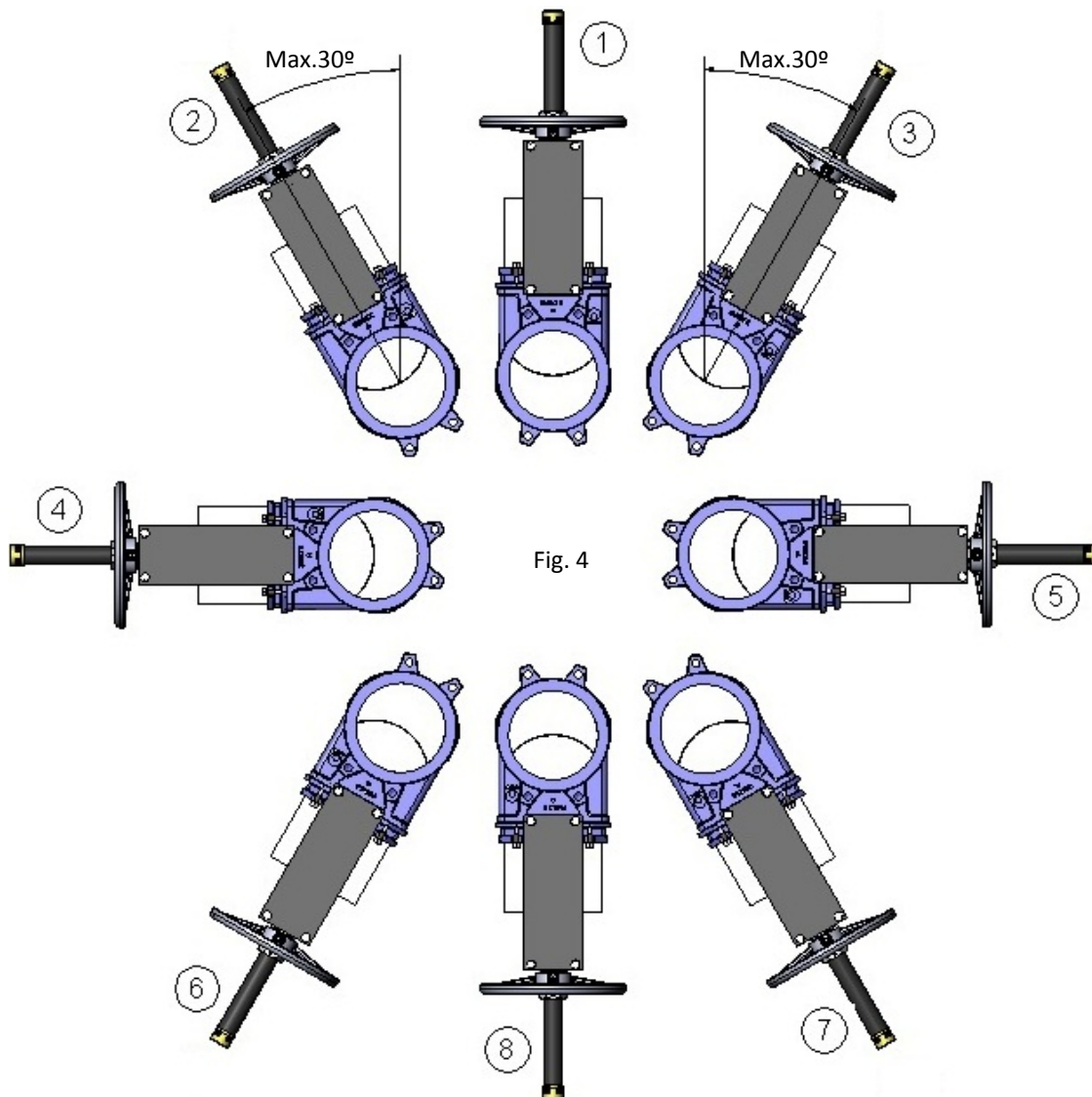


Fig. 4

Positions 6, 7 and 8: The valve can be installed in this position but you are advised to contact CMO if this is necessary.

Positions 2, 3, 6 and 7: For standard valves larger than ND200 and maximum angle permitted with the vertical of 30°. For sizes smaller than ND250 the angle can be increased up to 90°.

This knife gate valve has no gate guides on the sides and the larger the valve the heavier the gate. In these positions, the gate can rub against the body during operation and stop it. For that reason it is an important aspect to consider.

To install valves larger than ND200 in any of these positions please contact CMO.

In these positions it is recommended to support the actuator to prevent the shaft from bending due to the weight of the actuator. If this is not carried out it could lead to operating problems.

KNIFE-GATE VALVES

K SERIES

Positions 4 and 5: For valves larger than ND200 please contact CMO. For sizes smaller than ND250 the valves can be installed in these positions.

This knife gate valve has no gate guides on the corners and the larger the valve the heavier the gate. In these positions, the gate can rub against the body during operation and stop it. It is an important aspect to consider.

To install valves larger than ND200 in any of these positions please contact CMO.

In all these positions it is recommended to secure the actuator to prevent the shaft from bending due to the weight of the actuator. If this is not taken into account, it can lead to problems during the valve's operation.

ASSEMBLY POSITIONS (Vertical/Inclined Pipe)

CMO valves can be assembled in all positions; however, recommendations do exist for some of them.

Position 1: The most advisable position.

Position 5: The valve can be installed in this position but you are advised to contact CMO if this is necessary.

Positions 2, 3, and 4: In these positions it is recommended to support the actuator as its weight can cause the shaft to bend. If this is not taken into account, it can lead to problems during operation.

Once the valve has been installed, check that all the screws and nuts have been correctly tightened and that the whole valve action system has been correctly adjusted (electrical connections, pneumatic connections, instruments...).

Even if the valve has been assembled and tested at CMO's facilities, during the handling and transport the screws on the packing gland can come loose and must be re-tightened.

Once the valve is installed in the pipeline and it has been pressurised, it is very important to check for any leakages from the packing gland to the atmosphere.

In the event of a leakage, tighten the screws on the packing gland crosswise until the leakage stops, ensuring that there is no contact between the packing gland and the gate.

A very high tightening torque on the packing gland's screws can lead to problems, such as an increase in the valve's torque, reduction in the packing's working life, or the breaking of the packing gland. The tightening torques are indicated in Table 2:

Once the valve is installed in its place, check that the flanges and electrical and pneumatic connections are secure. If electrical connections are present or you are in an ATEX zone, earth connections must be made before starting.

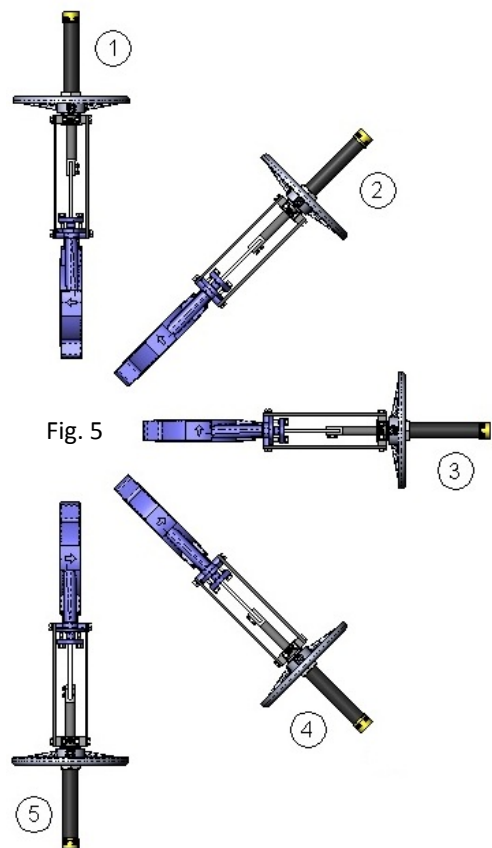


Fig. 5

Tightening torques for packing gland screws	
ND50 to ND125	25 Nm
ND150 to ND300	30 Nm
ND350 to ND1200	35 Nm

Table 2



KNIFE-GATE VALVES

K SERIES

In an ATEX zone, check the continuity between the valve and the pipeline (EN 12266-2, annex B, points B.2.2.2. and B.2.3.1.). Check the pipeline's earth connection and the conductivity between the outlet and inlet pipelines.

ACTUATOR

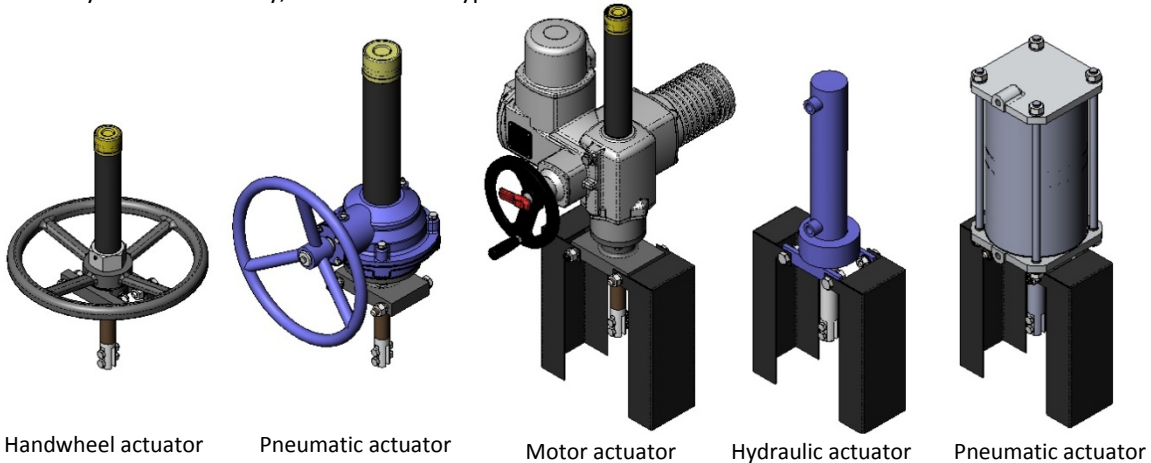
HANDWHEEL (Rising or Non-Rising Stem and Stem with Gear Box): To operate the valve: We can turn the handwheel clockwise (close) or anticlockwise (open).

CHAINWHEEL: To operate the valve pull one of the chain's vertical drops downwards, to lock it with the other one, remembering that opening is clockwise.

LEVER: First loosen the position locking clamp located on the yoke. Once it is unlocked raise the lever to open or lower it to close. To complete the operation lock the lever again.

PNEUMATIC (Double and Single Acting), HYDRAULIC (Double and Single Acting): This actuator can be manually operated (via pushbuttons), and automatically operated via various sensors, detectors, timers...

MOTORISED (Rising or Non-Rising Stem and Stem with Gear Box): This actuator can also be operated manually or automatically, each different type of actuator will have its own instructions.



MAINTENANCE

CMO will not be liable if the valves suffer any damage due to improper handling or without proper authorisation. The valves must not be modified except under express authorisation from CMO.

In order to avoid personal or material damage when performing the maintenance tasks, it is recommended to follow these instructions:

- The staff responsible for the maintenance or operation of the equipment must be qualified and trained.
- Use suitable Personal Protective Equipment (PPE) (gloves, safety boots, goggles...).
- Shut off all lines that affect the valve and put up a warning sign to inform about the work being performed.
- Completely isolate the valve from the whole process. Depressurise the process.
- Drain all the line fluid through the valve.
- Use manual rather than electric tools during the maintenance, in accordance with **EN13463-1(15)**.



The maintenance required in this type of valve is to change the seat's rubber joint (if soft seat is used), joint (between body and cover) and the gasket (if fitted) or closing bushing. It is recommended to

C.M.O.

Amategui Aldea 142, 20400 Txarama-Tolosa (SPAIN)

MAN-K.EN02

Tel. National: 902.40.80.50 Fax: 902.40.80.51 / Tel. International: 34.943.67.33.99 Fax: 34.943.67.24.40

cmo@cmo.es <http://www.cmo.es>

Page 6

KNIFE-GATE VALVES

K SERIES

regularly check the seal every 6 months, however its working life will depend on the valve's operating conditions, such as: pressure, temperature, number of operations, type of fluid and others.



In an ATEX zone, electrostatic charges may be present inside the valve, which can cause a risk of explosion. The user will be responsible for carrying out the appropriate actions in order to minimise the risks.

- The maintenance staff must be informed about the risks of explosion and ATEX training is recommended.



- If the fluid transported constitutes an internal explosive atmosphere, the user must regularly check the installation's correct seal tightness.
- Regularly clean the valve to prevent accumulation of dust.
- Assemblies are not permitted at the end of the line.
- Avoid re-painting the products supplied.

IMPORTANT SAFETY ASPECTS

- In order to work under ideal safety conditions, the magnetic and electrical elements must be in idle mode and the air tanks depressurised. The electrical control cabinets must also be out of service. The maintenance staff must be up to date with the safety regulations and work can only start under orders from the site's safety staff.
- The safety areas must be clearly marked and you must avoid placing auxiliary equipment (ladders, scaffolding, etc.) on levers or moving parts which will lead to the movement of the knife gate.
- In equipment with spring return actuators, the knife gate valve must be mechanically locked and only unlocked when the actuator is pressurised.
- In equipment with electrical actuator, it is recommended to disconnect it from the mains in order to access the moving parts without any risk.
- Due to its great importance, you must check that the valve shaft has no load before disassembling the actuator system.

Taking into account the recommendations indicated, below we indicate the maintenance operations carried out in this type of equipment:

REPLACING THE SEALING JOINT (sealtight valves)

1. Make sure there is absolutely no pressure and fluid in the installation.
2. Remove the valve from the pipeline.
3. Use the actuator to operate the valve, leaving it in open position.
4. Clean the inside surfaces of the valve.
5. Remove the ring (14) that secures the sealing joint (13). To this end, apply a few sharp knocks to the outside with a bronze object at the base of the ring until it comes out.
6. Remove the old seal (13) and clean its housing.
7. Fit a new sealing joint (13) with the same dimensions as the old one or use the dimensions shown below (table 3).
8. Insert the retaining ring (14) in its original position as indicated:
 - Place the retaining ring (14) in perfect alignment parallel to the sealing joint.
 - Push the ring (14) as a whole towards the base of the channel.
 - Check that all areas of the ring (14) are correctly inserted, in perfect contact with the valve and the joint (13) has not been damaged in the process.
9. The valve assembly will be performed in exactly the opposite way to disassembly.

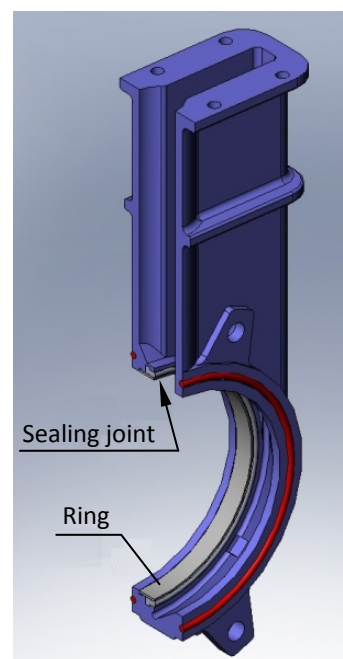



fig. 6

 **Note:** The numbers in brackets refer to the components list in Table 7.

C.M.O.

Amategui Aldea 142, 20400 Txarama-Tolosa (SPAIN)

MAN-K.EN02

Tel. National: 902.40.80.50 Fax: 902.40.80.51 / Tel. International: 34.943.67.33.99 Fax: 34.943.67.24.40

cmo@cmo.es <http://www.cmo.es>

Page 7

KNIFE-GATE VALVES

K SERIES

ND	50	65	80	100	125	150	200	250	300	350	400	450	500	600	700	800	900	1000
Length (mm)	190	250	290	370	445	530	690	845	1005	1175	1350	1520	1710	2020	2300	2680	3030	3367

Table 3

Note: During the assembly of the new sealing joint it is recommended to apply petroleum jelly to the seal to facilitate the assembly process and the correct operation of the valve (do not use oil or grease); table 4 below shows characteristics of the petroleum jelly used by CMO.

WHITE PETROLEUM JELLY		
Saybolt Colour	ASTM D-156	15
Melting point (°C)	ASTM D-127	60
Viscosity at 100°C	ASTM D-445	5
Penetration 25°C mm/10	ASTM D-937	165
Silicone content	None	
Pharmacopeia BP	OK	

Table 4

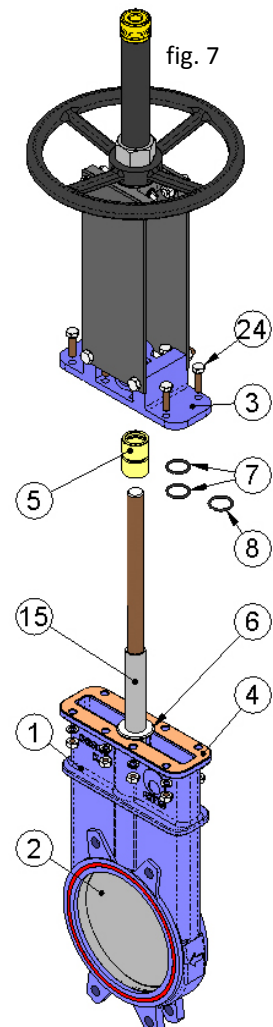
REPLACING THE SEALING JOINT (Teflon or PTFE)

You must follow the same operations that we have just described for the sealtight valves, but the following aspects must also be taken into account:

- To obtain greater sealtight integrity in the stainless steel bodies it is advisable to apply plastic glue to the joint housing. When the body is made of iron it is usually painted so this is not necessary.
- With the seal tab (13) pointing outwards, make a circle and then form a heart shape.
- It is recommendable to insert the joint in the top part, press the arched part and insert the seal into the housing.

REPLACING CLOSING BUSHING AND O-RINGS

1. Make sure there is absolutely no pressure and fluid in the installation.
2. Place the valve in close position.
3. Release actuator system leaving only the stem (15) protruding from the cover (3).
4. Loosen all the screws (24) which attach the body (1) to the cover (3).
5. Remove the cover (3) of the body (1).
6. Remove the closing bushing (5), along with the respective O-rings (7 and 8).
7. Replace the O-rings (7 and 8) and the closing bushing (5).
8. Before starting to assemble, we recommend applying petroleum jelly to the bushing (5) to facilitate the assembly and subsequent operation of the valve (do not use oil or grease); Table 4 (as mentioned above) shows the characteristics of the Vaseline used by CMO.
9. The valve assembly will be performed in exactly the opposite way to the disassembly.
10. Position the closing bushing (5) with the O-rings (7 and 8) and the stopper washer (6) in the original position.



C.M.O.

Amategui Aldea 142, 20400 Txarama-Tolosa (SPAIN)

MAN-K.EN02

Tel. National: 902.40.80.50 Fax: 902.40.80.51 / Tel. International: 34.943.67.33.99 Fax: 34.943.67.24.40


cmo@cmo.es <http://www.cmo.es>

Page 8

KNIFE-GATE VALVES


K SERIES

11. Make sure the seat sealing joint (4) between the cover (3) and the body (1) is not damaged (if it is, replace it).
12. Carefully tighten the screws (24) of the cover (3) crosswise.
13. Assemble actuator system.
14. Perform several manoeuvres with no load, checking the correct operation of the valve.
15. Subject the valve to pressure in the line, checking that there are no leaks between the cover (3) and body (1), or between the rod (15) and the cover (3).

 **Note:** The numbers in brackets refer to fig. 7.

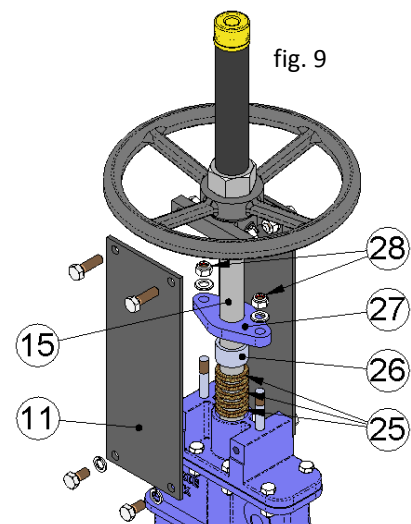
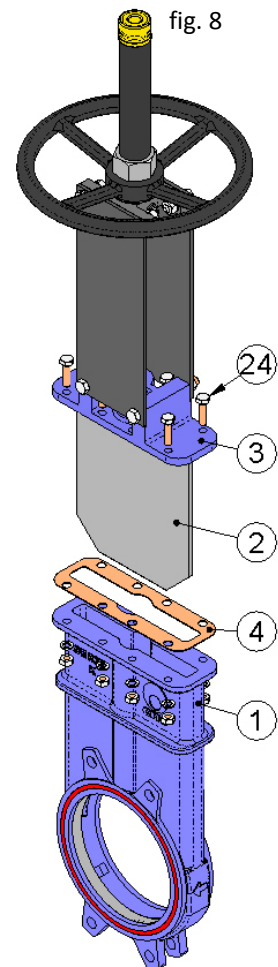
REPLACING SEAT SEALING JOINT (Between body and cover)

1. Make sure there is absolutely no pressure and fluid in the installation.
2. Place the valve in open position.
3. Loosen all the screws (24) which attach the body (1) to the cover (3).
4. Remove the actuator system, cover (3) and gate (2) of the body (1).
5. Remove the seat sealing joint (4) between the cover (3) and the body (1) and clean its accommodation.
6. Fit a new seat sealing joint (4) with the same dimensions as the old one.
7. The valve assembly will be performed in exactly the opposite way to the disassembly.
8. Make sure the seat sealing joint (4) is properly positioned between the cover (3) and the body (1) and introduce the assembly of the gate (2), cover (3) and actuator system in the body (1).
9. Carefully tighten the screws (24) of the cover (3) crosswise.
10. Perform several manoeuvres with no load, checking the correct operation of the valve.
11. Subject the valve to pressure in the line, checking that there are no leaks between the cover (3) and body (1), or between the rod (15) and the cover (3).

 **Note:** The numbers in brackets refer to fig. 8.

REPLACING THE GLAND (only in the case of gasket with packing gland)


1. Make sure there is absolutely no pressure and fluid in the installation.
2. Place the valve in open position.
3. Although not essential, for more comfort and more space to work it is advisable to release a support plate (11) as shown in fig. 9.
4. Loosen the nuts (28) and lift the packing gland flange (27) and the packing gland bushing (26) over the spindle.
5. Remove the old gasket (25) using a pointed tool, taking care not to damage the surface of the spindle (15).
6. Carefully clean the gasket, making sure there are no residues anywhere so the new gasket strips fit correctly.
7. Insert the new gasket (25). During this operation it is very important for both ends of each ring to be perfectly joined. Below we show the gasket dimensions (Table 5).



KNIFE-GATE VALVES

K SERIES

8. Place the packing gland bushing (26) and packing gland flange (27) in their original position, making sure not to touch the rod (15), carefully tighten all the nuts (28) crosswise, ensuring the same distance is left between the packing flange (27) and the rod (15) on both sides, then mount the support plate (11).
9. Perform several manoeuvres with no load, checking the correct operation of the valve and ensuring the packing gland is correctly aligned.
10. Pressurise the valve in the line and tighten the packing gland crosswise, enough to prevent leakages to the atmosphere.

 **Note:** The numbers in brackets refer to fig. 9.

DN	50	65	80	100	125	150	200	250	300	350	400	450	500	600
Section (mm x mm)	6 x 6	6 x 6	6 x 6	6 x 6	6 x 6	6 x 6	6 x 6	8 x 8	8 x 8	8 x 8	8 x 8	8 x 8	8 x 8	8 x 8
Number of rings	5	5	5	5	5	5	4	4	5	5	5	5	5	5
Length (mm)	100	100	100	100	116	116	132	144	144	176	176	192	192	192

table 5

LUBRICATION

It is recommended to lubricate the stem twice a year by removing the protection cap and filling it with grease up to half its volume.



After the maintenance and in an ATEX zone, you must check the electrical continuity between the pipe and the rest of the valve's components, such as the body, through conduit, stem... EN 12266-2 Standard, annex B, points B.2.2.2. and B.2.3.1.)

MAINTAINING THE PNEUMATIC ACTUATOR

The pneumatic cylinders in our valves are manufactured and assembled at our premises. The maintenance of these cylinders is simple, if you need to replace any elements or have any questions please consult CMO. Below is an exploded diagram of the pneumatic actuator and a list of the cylinder's components. The top cover and the support cover are usually made of aluminium, although pneumatic cylinders greater than $\varnothing 200$ mm are made of cast iron GJS-400.

The maintenance kit normally includes: The bushing and its joints and the scraper, and, if the customer wishes, the piston is also supplied. Below we show the steps to follow to replace these parts.

1. Position the penstock in closed position and shut off the pneumatic circuit pressure.
2. Loosen the cylinder air input connections.
3. Release and remove the cylinder cap (5), the cylinder tube (4) and the tie rods (17).
4. Loosen the nut (15) which connects the piston (3) and the rod (1), remove the parts. Disassemble the cir-clip (11) and remove the bushing (8) with its joints (9 and 10).
5. Release and remove the cylinder head (2), in order to remove the scraper (6).
6. Replace the damaged parts with new ones and assemble the actuator in the reverse order to that described for disassembly.

C.M.O.

Amategui Aldea 142, 20400 Txarama-Tolosa (SPAIN)

MAN-K.EN02

Tel. National: 902.40.80.50 Fax: 902.40.80.51 / Tel. International: 34.943.67.33.99 Fax: 34.943.67.24.40

cmo@cmo.es <http://www.cmo.es>

Page 10

KNIFE-GATE VALVES

K SERIES

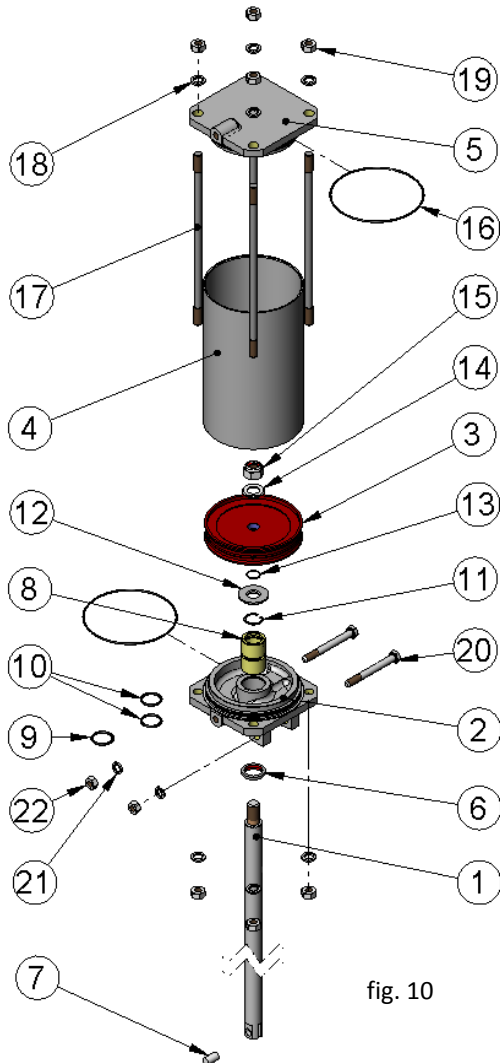


fig. 10

PNEUMATIC ACTUATOR		
POS.	DESCRIPTION	MATERIAL
1	STEM	AISI-304
2	SUPPORT COVER	ALUMINIUM
3	PISTON	S275JR + EPDM
4	CASING	ALUMINIUM
5	UPPER COVER	ALUMINIUM
6	SCRAPER	NITRILE
7	PIN	AISI-304
8	BUSHING	NYLON
9	EXTERIOR O-RING	NITRILE
10	INTERIOR O-RING	NITRILE
11	CIR-CLIP	STEEL
12	WASHER	ST ZINC
13	O-RING	NITRILE
14	WASHER	ST ZINC
15	SELF-LOCKING NUT	5.6 ZINC
16	O-RING	NITRILE
17	TIES	F-114 ZINC
18	WASHER	ST ZINC
19	NUT	5.6 ZINC
20	SCREW	5.6 ZINC
21	WASHER	ST ZINC
22	NUT	5.6 ZINC

table 6

STORAGE

To ensure the valve is in optimum conditions of use after long periods of storage, it should be stored in a well-ventilated place at temperatures below 30°C.

It is not advisable, but if it is stored outside, the valve must be covered to protect it from heat and direct sunlight, with good ventilation to prevent humidity. The following aspects must be considered for storage purposes:

- The storage place must be dry and under cover.
- It is not recommended to store the equipment outdoors with direct exposure to adverse weather conditions, such as rain, wind, etc., even when the equipment is packaged.
- This recommendation is even more important in areas with high humidity and saline environments. Wind can carry dust and particles which can come into contact with the valve's moving parts and this can lead to operating difficulties. The actuator system can also be damaged due to the introduction of particles in the different elements.
- The equipment must be stored on a flat surface to avoid deformations.
- If the equipment is stored without suitable packaging it is important to keep the valve's moving parts lubricated, for this reason it is recommended to carry out regular checks and lubrication.
- Likewise, if there are any machined surfaces without surface protection it is important for some form of protection to be applied to prevent the appearance of corrosion.

C.M.O.

Amategui Aldea 142, 20400 Txarama-Tolosa (SPAIN)

MAN-K.EN02

Tel. National: 902.40.80.50 Fax: 902.40.80.51 / Tel. International: 34.943.67.33.99 Fax: 34.943.67.24.40

cmo@cmo.es <http://www.cmo.es>

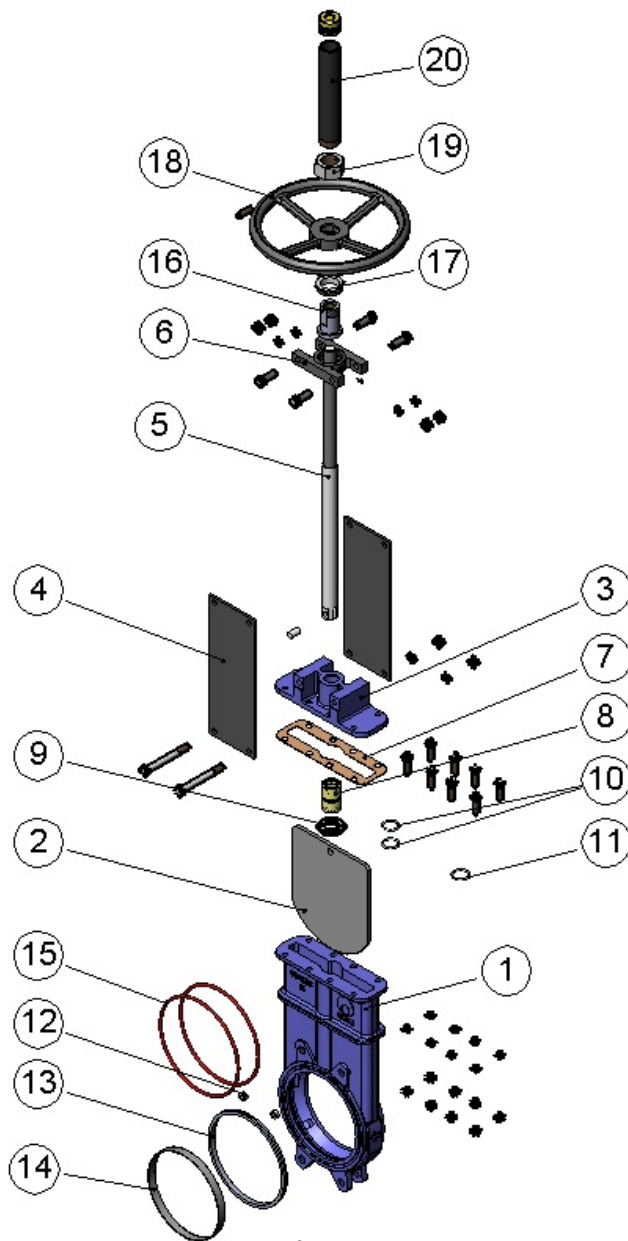
Page 11



KNIFE-GATE VALVES

K SERIES

COMPONENTS LIST (Manual Valve)



POS	DESCRIPTION
1	BODY
2	GATE
3	COVER
4	SUPPORT PLATE
5	STEM
6	BRIDGE
7	SEAT SEAL
8	SOCKET
9	STOP WASHER
10	INSIDE SOCKET SEAL
11	OUTSIDE SOCKET SEAL
12	SLIDE
13	SEALING JOINT
14	SEALING RING
15	O-RINGS
16	STEM NUT
17	STOP NUT
18	HANDWHEEL
19	BODY
20	GATE

table 7