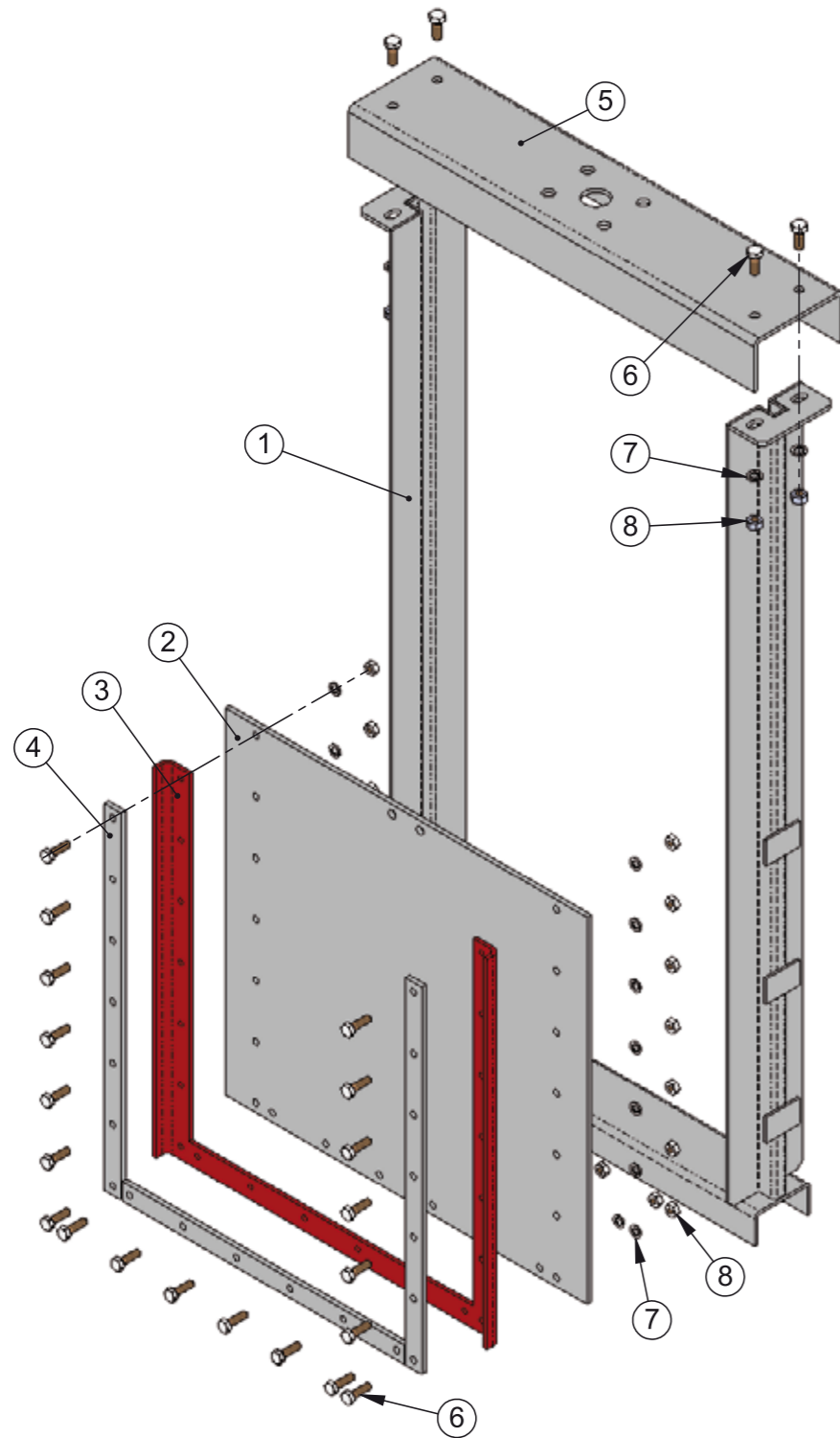


COMPUERTA CANAL Serie-CA PROGRAMA DE FABRICACION

CHANNEL GATE CA-Series FABRICATION RANGE



| POS. | DESCRIPCION / DESCRIPTION | S275JR | AISI-304 | AISI-316 |
|------|----------------------------|----------|----------|----------|
| 1 | CUERPO / BODY | S275JR | AISI-304 | AISI-316 |
| 2 | TAJADERA / KNIFE | S275JR | AISI-304 | AISI-316 |
| 3 | CIERRE / SEAT | EPDM | EPDM | EPDM |
| 4 | BRIDA JUNTA / JOINT FLANGE | AISI-304 | AISI-304 | AISI-316 |
| 5 | PUENTE / YOKE | S275JR | AISI-304 | AISI-316 |
| 6 | TORNILLO / SCREW | A-2 | A-2 | A-4 |
| 7 | ARANDELA / WASHER | A-2 | A-2 | A-4 |
| 8 | TUERCA / NUT | A-2 | A-2 | A-4 |

CONSTRUCCIONES METALICAS DE OBTURACION, S.L.

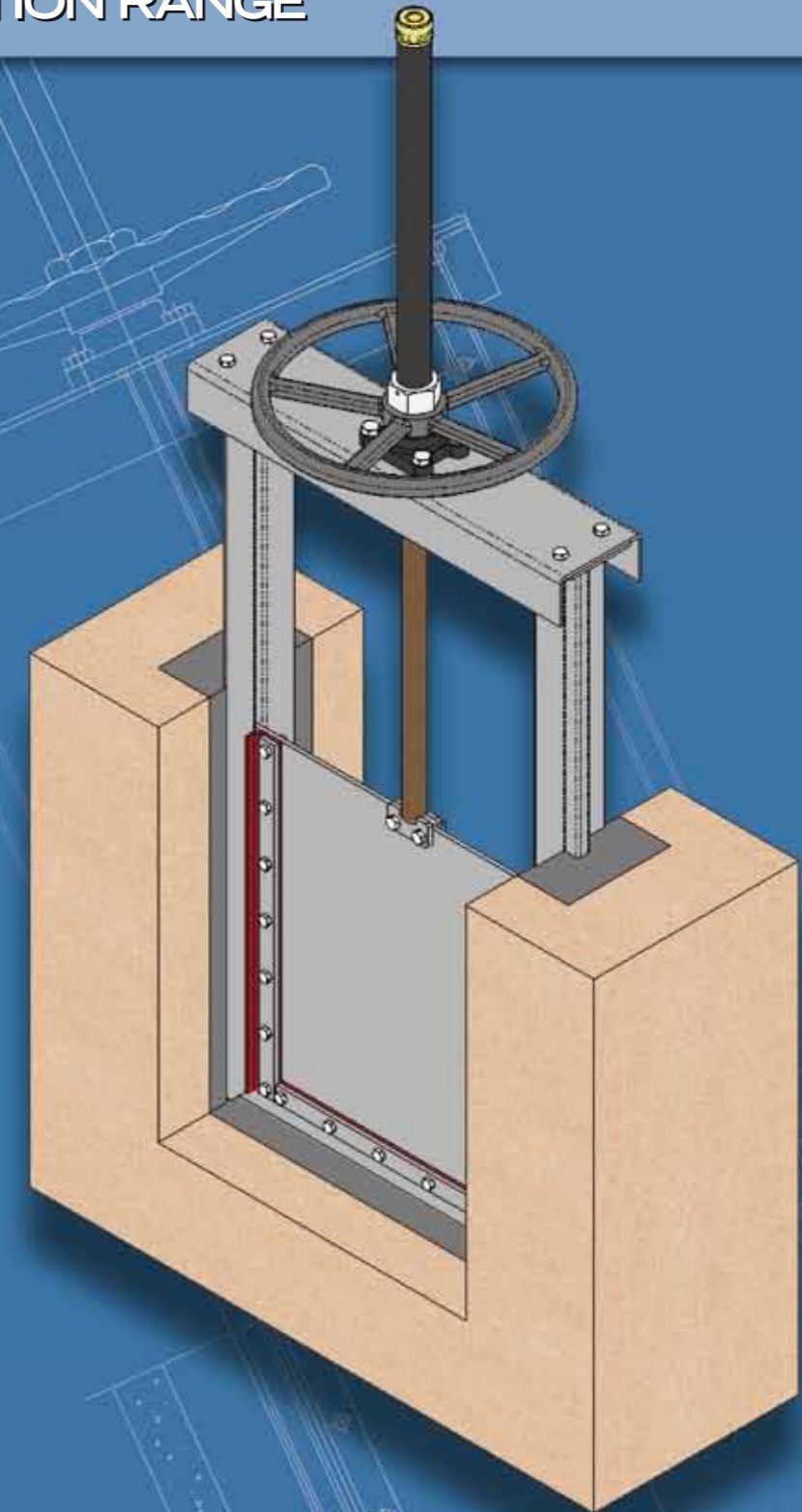


VÁLVULAS Y COMPUERTAS

Tel.: 902 40 80 50 Fax: 902 40 80 51

MADRID - BARCELONA - TOLOSA (SPAIN)

E-mail: cmo@cmo.es Web: www.cmo.es



- UTILIZACIÓN:

Compuerta de tajadera unidireccional o bidireccional para líquidos limpios o cargados con sólidos.

Cierre a tres lados.

Aplicación principal: en canales.

- UTILIZATION:

Unidirectional or bidirectional channel gate for cleaned or loaded with solid liquids. Three sides seat.

Main application: in channels.



GESTION DE LA CALIDAD CERTIFICADA

QUALITY MANAGEMENT CERTIFIED

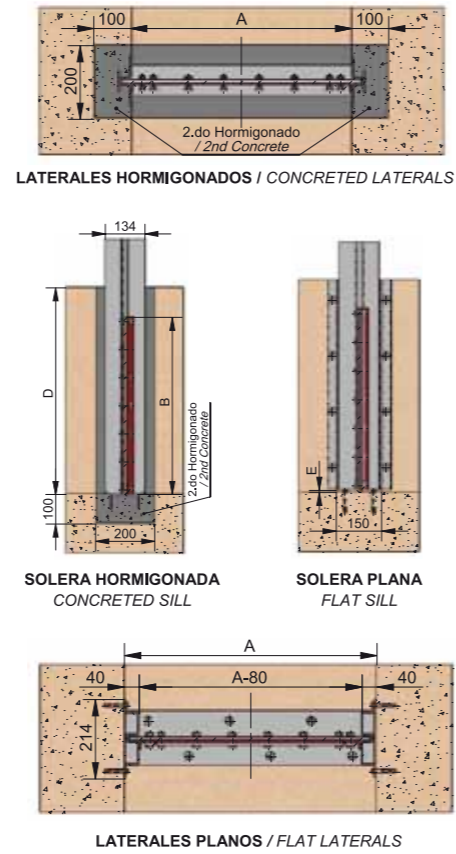
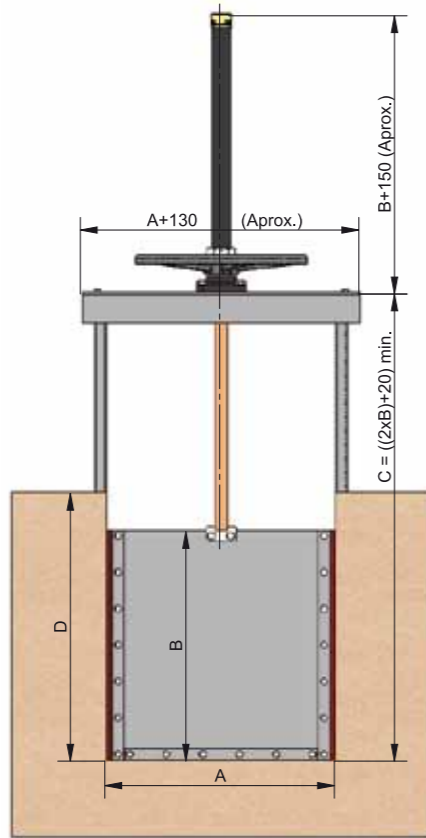


| DIMENSIONES / DIMENSIONS | | | | |
|--------------------------|----|------|------|------|
| A | E | B | C* | D* |
| 150 | 6 | 150 | 320 | 150 |
| 200 | 6 | 200 | 420 | 200 |
| 250 | 6 | 250 | 520 | 250 |
| 300 | 6 | 300 | 620 | 300 |
| 350 | 6 | 350 | 720 | 350 |
| 400 | 6 | 400 | 820 | 400 |
| 450 | 6 | 450 | 920 | 450 |
| 500 | 6 | 500 | 1020 | 500 |
| 600 | 6 | 600 | 1220 | 600 |
| 700 | 6 | 700 | 1420 | 700 |
| 800 | 6 | 800 | 1620 | 800 |
| 900 | 6 | 900 | 1820 | 900 |
| 1000 | 6 | 1000 | 2020 | 1000 |
| 1100 | 8 | 1100 | 2220 | 1100 |
| 1200 | 8 | 1200 | 2420 | 1200 |
| 1300 | 8 | 1300 | 2620 | 1300 |
| 1400 | 8 | 1400 | 2820 | 1400 |
| 1500 | 8 | 1500 | 3020 | 1500 |
| 1600 | 8 | 1600 | 3220 | 1600 |
| 1700 | 8 | 1700 | 3420 | 1700 |
| 1800 | 8 | 1800 | 3620 | 1800 |
| 1900 | 8 | 1900 | 3820 | 1900 |
| 2000 | 8 | 2000 | 4020 | 2000 |
| 2200 | 10 | 2200 | 4420 | 2200 |
| 2400 | 10 | 2400 | 4820 | 2400 |
| 2600 | 10 | 2600 | 5220 | 2600 |
| 2800 | 10 | 2800 | 5620 | 2800 |
| 3000 | 10 | 3000 | 6020 | 3000 |

* -> Cotas mínimas / Minimum dimensions.

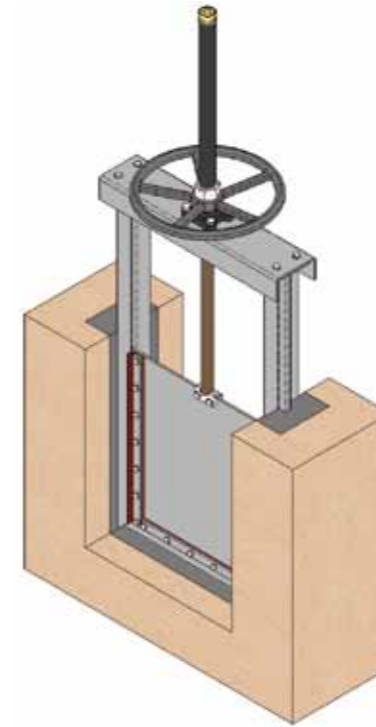
Para definir dimensiones de la compuerta:
Anchura x Altura = (A x B)
To define dimensions of the gate:
Width x Height = (A x B)

Otras dimensiones bajo consulta
Other dimensions under request.

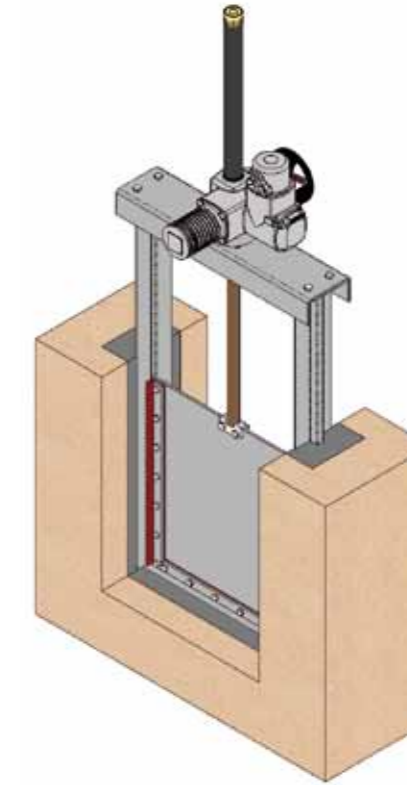


ACTUADORES / ACTUATORS

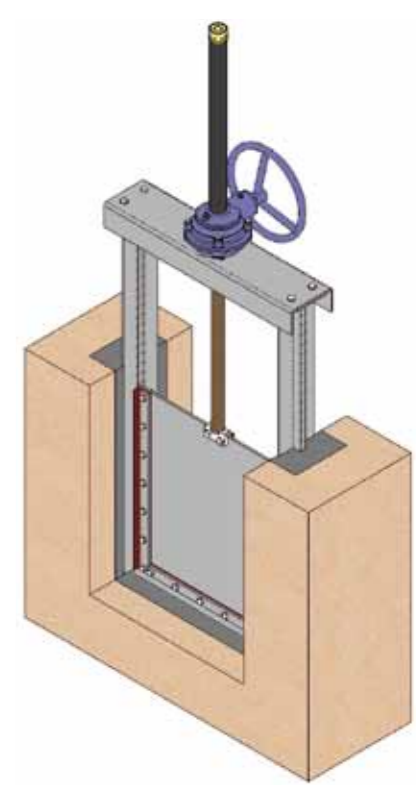
VOLANTE MANUAL
HANDWHEEL



MOTOR / MOTOR

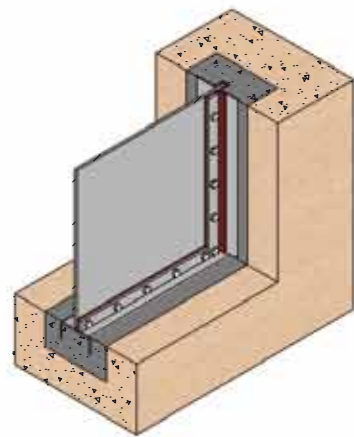


REDUCTOR / SPUR GEAR

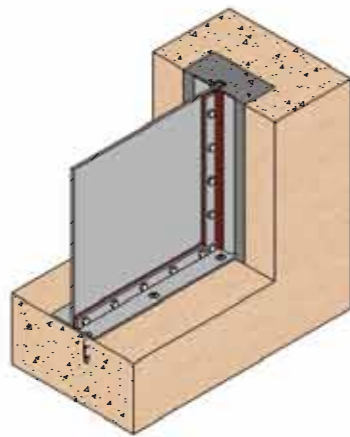


Cotas y dibujos sin compromiso. CMO S.L. se reserva, en cualquier momento, el derecho de modificarlos a discreción y sin previo aviso.
Dimensions and drawings without obligation. CMO S.L. reserves, at any moment, the right of their modification at its own discretion and without any previous notice.

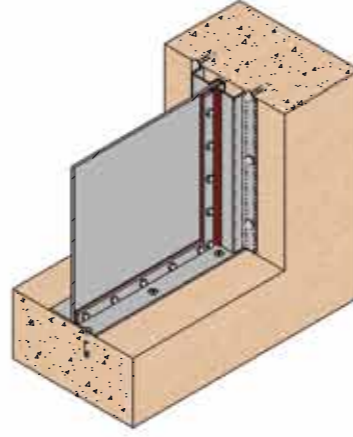
OPCIONES DE FIJACION / FIXATION OPTIONS



SOLERA HORMIGONADA
CONCRETED SILL
LATERALES HORMIGONADOS
CONCRETED LATERALS

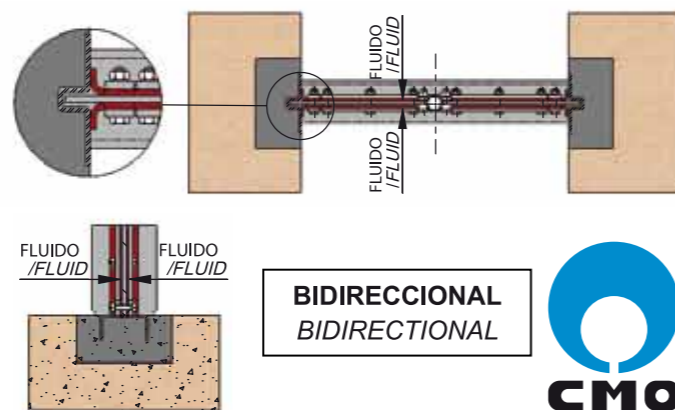
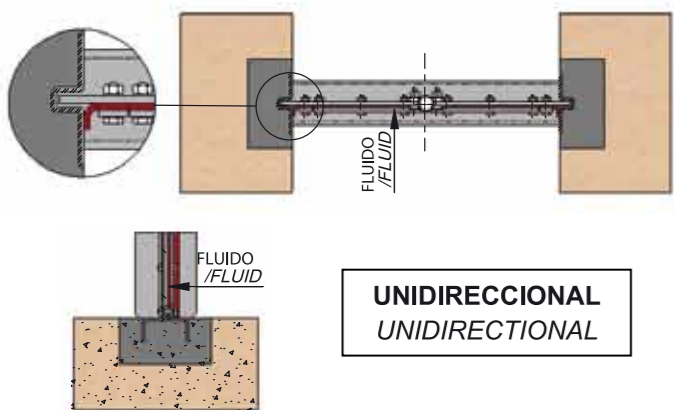


SOLERA PLANA / FLAT SILL
LATERALES HORMIGONADOS
CONCRETED LATERALS

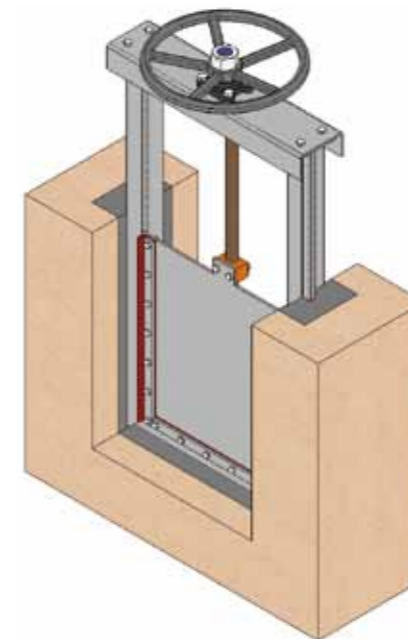


SOLERA PLANA / FLAT SILL
LATERALES PLANOS
FLAT LATERALS

TIPOS DE CIERRE / SEAT TYPES

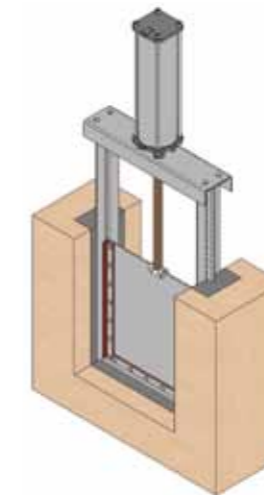


HUSILLO NO ASCENDENTE
NON RISING STEM

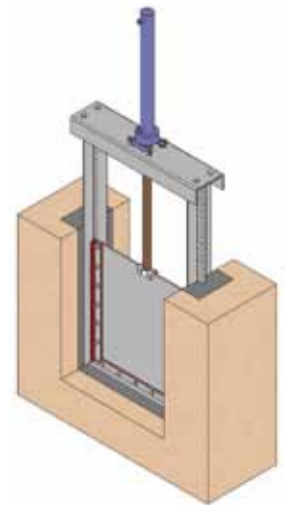


TAMBIEN DISPONIBLE EN
ACCIONAMIENTOS CON
MOTOR O REDUCTOR
ALSO AVAILABLE WITH MOTOR
OR SPUR GEAR ACTUATORS

NEUMATICO
PNEUMATIC



HIDRAULICO
HYDRAULIC



MANUAL CON ASA
MANUAL WITH HANDLE

